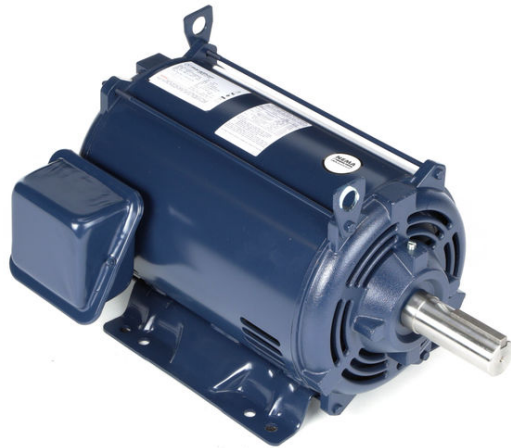


PRODUCT INFORMATION PACKET

marathon[®]
Motors

Model No: 256TTDR16038
Catalog No: E761A
20,1800,DP,256T,3/60/575
Open Drip Proof (ODP)



Regal and Marathon are trademarks of Regal Beloit Corporation or one of its affiliated companies.
©2019 Regal Beloit Corporation, All Rights Reserved. MC017097E

REGAL[®]



Nameplate Specifications

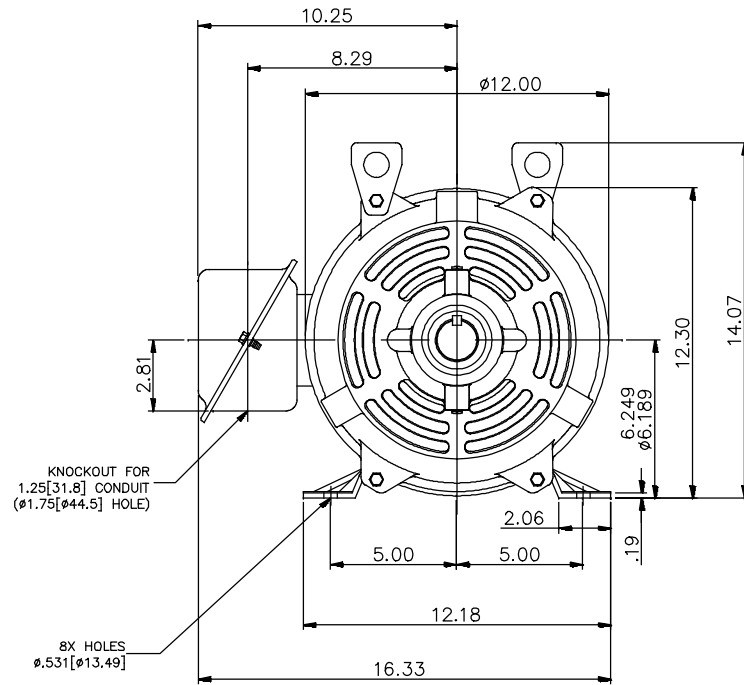
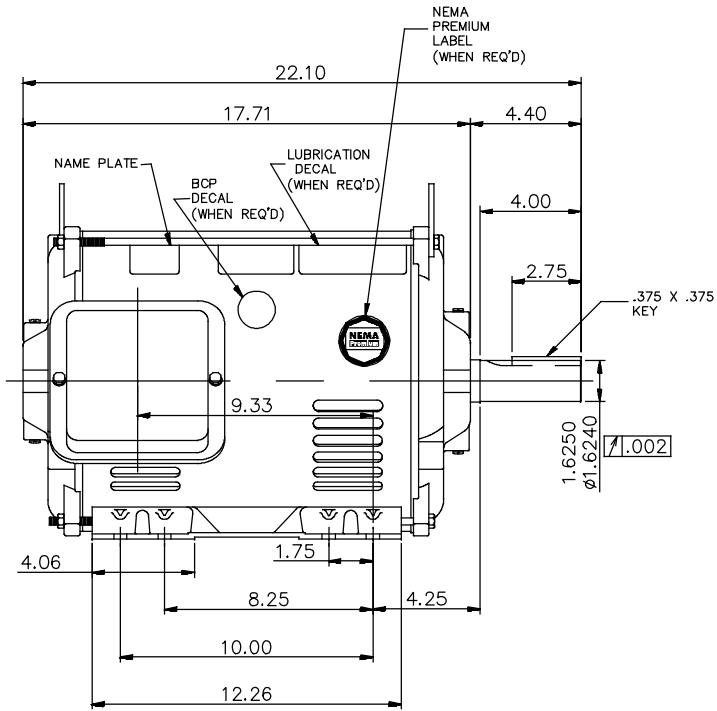
Output HP	20 Hp	Output KW	14.9 kW
Frequency	60 Hz	Voltage	575 V
Current	19.6 A	Speed	1765 rpm
Service Factor	1.15	Phase	3
Efficiency	93.6 %	Duty	Continuous
Insulation Class	F	Design Code	B
KVA Code	F	Frame	256T
Enclosure	Drip Proof	Overload Protector	No
Ambient Temperature	40 °C	Drive End Bearing Size	6309
Opp Drive End Bearing Size	6207	UL	Recognized
CSA	Y	CE	Y
IP Code	12		

Technical Specifications

Electrical Type	Squirrel Cage Induction Run	Starting Method	Across The Line
Poles	4	Rotation	Reversible
Mounting	Rigid Base	Motor Orientation	Horizontal
Drive End Bearing	Ball	Opp Drive End Bearing	Ball
Frame Material	Rolled Steel	Shaft Type	T
Shaft Diameter	1.625 in	Assembly/Box Mounting	F1/F2 CAPABLE
Outline Drawing	037977-1300	Connection Diagram	EE7300

This is an uncontrolled document once printed or downloaded and is subject to change without notice. Date Created: 02/14/2019

037977



NOTES:

1. CONDUIT BOX MAY BE ROTATED IN 90° INCREMENTS.
2. MOTOR IS SUITABLE FOR FIELD CONVERSION FROM AN F1 TO AN F2 CONDUIT BOX LOCATION.
3. MOTOR VENTILATION: AIR INTAKE THROUGH OPENINGS IN THE FACE OF EACH BRACKET AND EXHAUSTED THROUGH THE VENT SLOTS ON EACH END OF THE SHELL.

MOTOR DESCRIPTION:

3 PHASE OPEN DRIPPROOF STEEL SHELL 254T OR 256T MOUNTING. OTHER MOUNTING ORIENTATIONS ARE ACCEPTABLE; HOWEVER WHEN MOUNTED OTHER THAN HORIZONTAL; MOTOR WILL NOT BE DRIPPROOF AS DEFINED BY NEMA.

				TOLERANCES UNLESS SPECIFIED		DRAWN PVR 01/28/15	
				DEC.	INCHES		CHK ST 01/28/15
004	DECAL UPDATED AS PER ECR-0162503	GNK	09/14/2018	.X	±.1	APPD	
003	ADDED NAME PLATE	MVG	12/12/17	.XX	±.03	SCALE 1=4.2	
002	CHANGED FROM 20 HP TO 15 HP	AS	01/19/17	.XXX	±.005	REF 18748501-001	
001	ADDED REGAL LOGO	SRK	02/23/16	.XXXX	±.0005	FMF	
NO.	REVISION	BY & DATE	CHK	ANG	±7'30"	PREV	
THIS DRAWING IN DESIGN AND DETAIL IS OUR PROPERTY AND MUST NOT BE USED EXCEPT IN CONNECTION WITH OUR WORK ALL RIGHTS OF DESIGN AND INVENTION ARE RESERVED THIS IS AN ELECTRONICALLY GENERATED DOCUMENT - DO NOT SCALE THIS PRINT				RFP	CAD FILE 037977	SIZE A	DRAWING NO. PAGE 1 OF 1 REV. 037977 003
				DIST	LB		

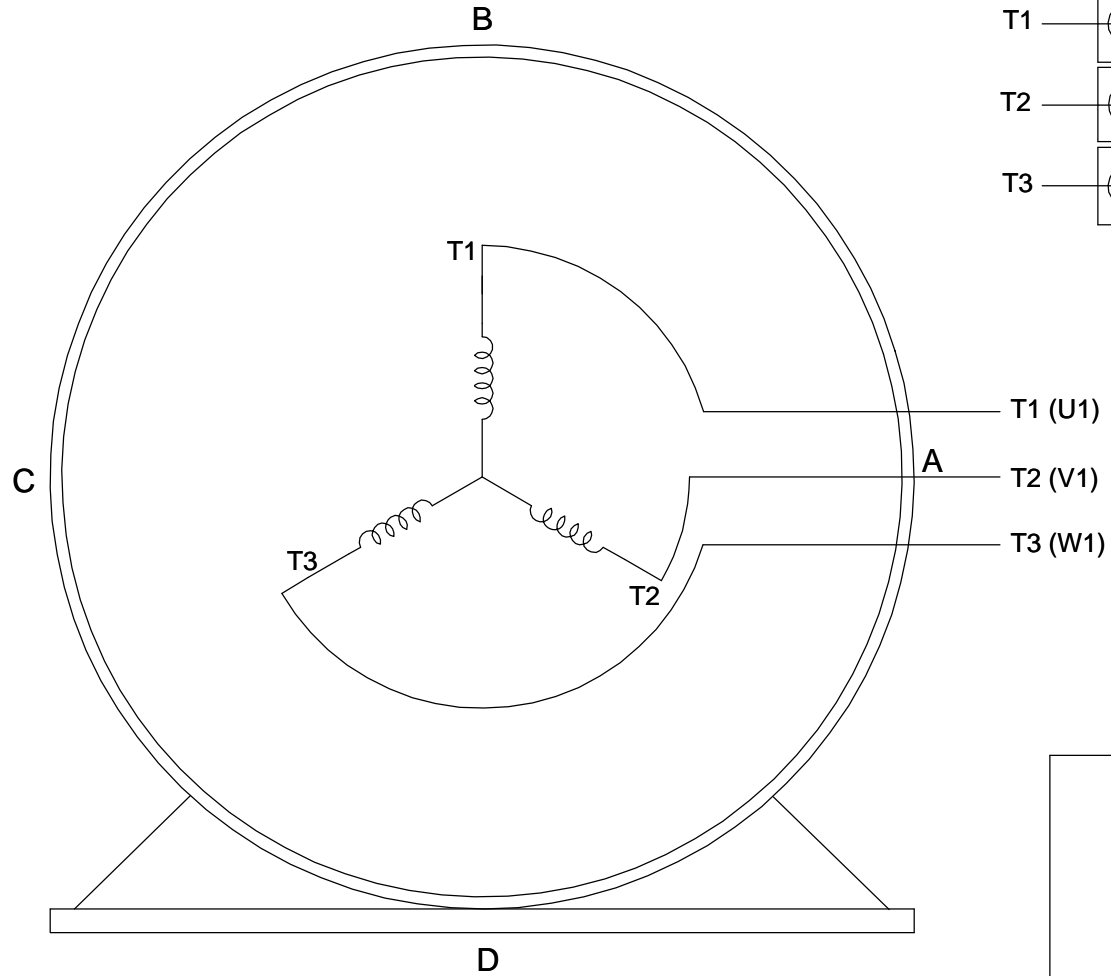
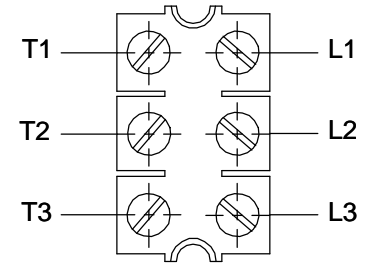


TITLE OUTLINE
15 HP

**THREE PHASE - SINGLE VOLTAGE
MOTOR - CONDUIT BOX @ 'A'**

**TO REVERSE ROTATION:
INTERCHANGE ANY TWO
LINE LEAD CONNECTIONS.**

TERMINAL BLOCK WHEN SPECIFIED



VIEW OF TERMINAL END

**IF MOTOR HAS
6 LEADS**



A-9806 DECAL

**OPTIONAL CORD
CONNECTION**

- L1 WHITE
- L2 RED
- L3 BLACK

DRAWING REVISION AB	REVISION BY JJB	DATE 06-27-2017
ECO ECO-0125361	APPROVED BY TB	DATE 06-27-2017
ECO DESCRIPTION UPDATED TO CURRENT STANDARDS		
<small>COPYRIGHT REGAL BELOIT AMERICA, INC. ALL RIGHTS RESERVED. PROPRIETARY AND CONFIDENTIAL INFORMATION - THIS DOCUMENT IS THE PROPERTY OF REGAL BELOIT AMERICA, INC. ("OWNER") AND CONTAINS OWNER'S PROPRIETARY INFORMATION. ANY PERSON, CORPORATION OR OTHER FIRM RECEIVING IT IS DEEMED, BY RECEIVING IT, TO AGREE THAT IT, AND/OR ANY PART OF IT, SHALL NOT BE DISCLOSED TO ANY PERSON, CORPORATION OR OTHER ENTITY, DUPLICATED, AND/OR USED, EXCEPT AS EXPRESSLY APPROVED IN WRITING IN ADVANCE BY OWNER. THIS DOCUMENT SHALL BE RETURNED TO OWNER UPON REQUEST. IT MAY BE SUBJECT TO CERTAIN RESTRICTIONS UNDER APPLICABLE EXPORT CONTROL LAWS AND REGULATIONS.</small>		



DRAWN BY DA
DATE 03-26-1993
APPROVED BY TB
DATE 03-26-1993
REFERENCE
THIRD ANGLE PROJECTION

Regal Beloit America, Inc.		
		DESCRIPTION CONNECTION DIAGRAM EXTERNAL - SINGLE VOLTAGE - 3Ø MOTOR
MATERIAL	PROCESS/FINISH	
SIZE A	DRAWING NUMBER EE7300	SHEET 1 OF 1